

# Meto employee protection initiative



**Meto hygiene protection stand for check-outs and service counters**

*To protect staff in contact with customers*

*(at the check-out, when advising and serving customers, dealing with complaints)!*

## Meto hygiene protection stand

Comprising: Front panel and 2 stand feet

### Version A Art. no. 30006308

Front panel and stand with semi-circular service opening

Dimensions Front panel: 600 x 600 x 3 mm

Dimensions Stand feet: 400 x 200 x 5 mm

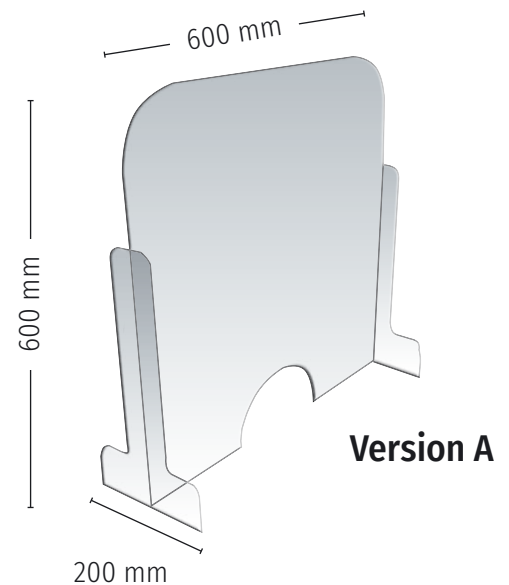
### Version B Art. no. 30006309

Front panel and stand with straight service opening

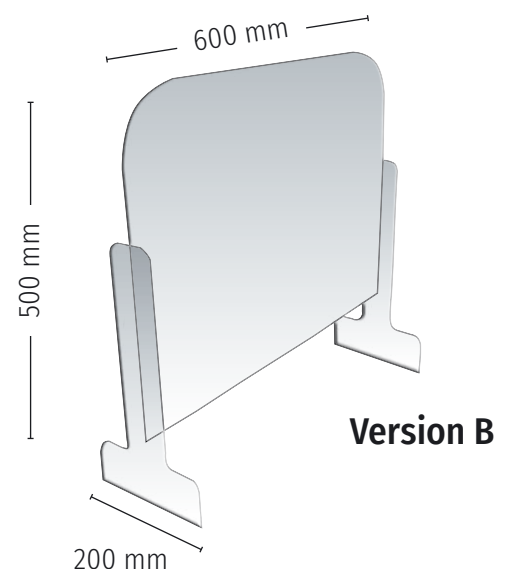
Dimensions Front panel: 600 x 500 x 3 mm

Dimensions Stand feet: 400 x 200 x 5 mm

- Material: Front panel PETG 3.0 mm  
Feet Acrylic 5.0 mm
- Highly transparent and impact-resistant
- Easy to install (without tools)
- Safe in physical contact with foods
- Simple to clean (with water and detergent only, do not use cleaners containing alcohol)



**Version A**



**Version B**

**METO**<sup>®</sup>  
your retail label expert