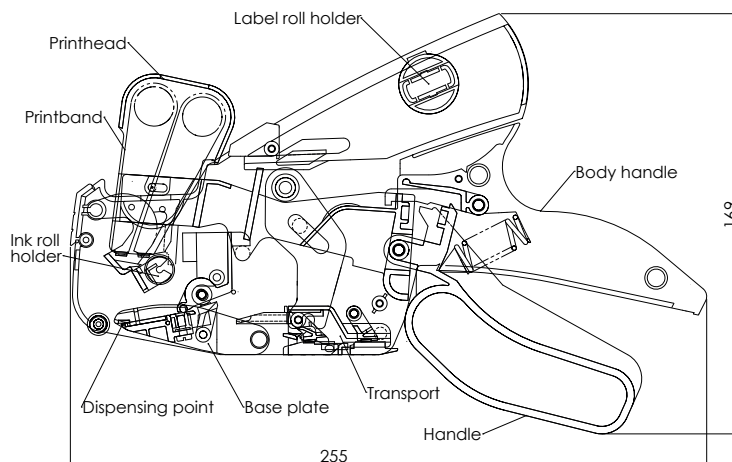


TECHNICAL DATASHEET - PRICE GUN

Meto Classic M



Technical Data

| | |
|--------------------------------|---|
| Tool type: | price gun |
| Manufacturer: | Meto International GmbH |
| Model: | Meto Classic M |
| Colour: | silver-teal |
| Tool size (LxWxH): | 251 x 59 x 162 mm |
| Packaging size (LxWxH): | 282 x 68 x 186 mm |
| Net weight (tool): | 426 g |
| Gross weight: | 602 g |
| Lines: | 2 |
| Digits: | 16 - 20 print positions depending on the model |
| Print height: | 3,0 - 4,3 mm depending on the model |
| Label size: | 26 x 16 mm |
| Main components: | label roll holder, handle, transport, ink roll holder, printband, printhead |

Price gun material:

| | |
|-------------------------------|-------------------------------|
| a) body, printhead, transport | ABS (50%), POM (26%), PA (9%) |
| b) screws, springs | metals (12%) |
| c) printbands | elastomer (3%) |

Label material:

| | |
|---------------|-------------------------------------|
| a) face paper | paper * |
| b) adhesive | permanent, removable, deep freeze * |
| c) liner | kraft paper white * |

Ink roll material:

| | |
|--------------------|-----------------------------------|
| a) ink roll holder | polyamide (PA 6) |
| b) foam body | mixed polyurethane foam |
| c) ink | black, type T-192, glycerin based |

TECHNICAL DATASHEET - PRICE GUN

| | |
|----------------------------|--|
| Packaging material: | 230 g GD2, FSC Mix |
| Certification: | packaging: climate neutral production, FSC Mix |
| Transport (labels): | wavy-edge |
| Warranty: | 2 years |
| Scope of delivery: | price gun with labels and ink roll ready for use |

Item list

| | |
|-----------------|--|
| 30007662 | Meto Classic M 1626/16, price labelling, year dates |
| 30007667 | Meto Classic M 1626/16, price labelling, basic price labelling |
| 30007672 | Meto Classic M 2026/16, price labelling, discounts |

*For more information please contact us directly at service@meto.com or visit us on www.meto.com/hls.