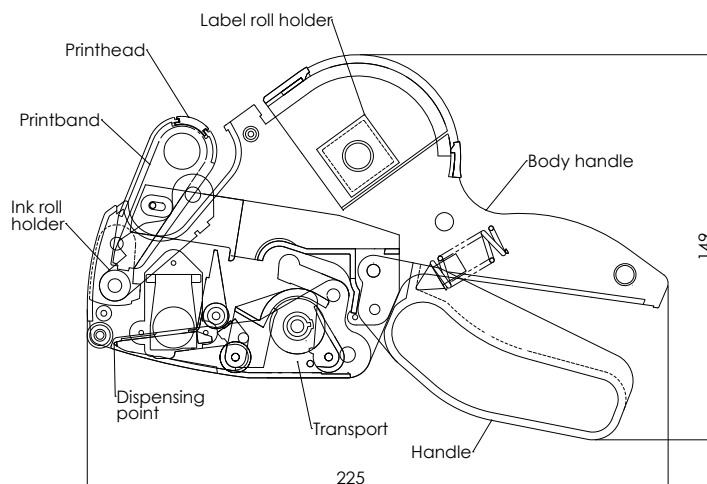


# TECHNICAL DATASHEET - PRICE GUN

## Meto Basic S



### Technical Data

<b>Tool type:</b>	price gun
<b>Manufacturer:</b>	Meto International GmbH
<b>Model:</b>	Meto Basic S
<b>Colour:</b>	silver-teal
<b>Tool size (LxWxH):</b>	214 x 50 x 127 mm
<b>Packaging size (LxWxH):</b>	282 x 68 x 186 mm
<b>Net weight (tool):</b>	313 g
<b>Gross weight:</b>	489 g
<b>Lines:</b>	1
<b>Digits:</b>	6 - 8 print positions depending on the model
<b>Print height:</b>	4,3 mm
<b>Label size:</b>	22 x 12 mm
<b>Main components:</b>	label roll holder, handle, transport, ink roll holder, printband, printhead

#### Price gun material:

a) body, printhead, transport	ABS (51%), POM (24%) , PA (14%)
b) screws, springs	metals (9%)
c) printbands	elastomer (2%)

#### Label material:

a) face paper	paper *
b) adhesive	permanent, removable, deep freeze *
c) liner	kraft paper white *

#### Ink roll material:

a) ink roll holder	polyamide (PA 6)
b) foam body	mixed polyurethane foam
c) ink	black, type T-192, glycerin based

# TECHNICAL DATASHEET - PRICE GUN

---

<b>Packaging material:</b>	230 g GD2, FSC Mix
<b>Certification:</b>	packaging: climate neutral production, FSC Mix
<b>Transport (labels):</b>	wheel
<b>Warranty:</b>	1 year
<b>Scope of delivery:</b>	price gun with labels and ink roll ready for use

## Item list

<b>30007803</b>	Meto Basic S 622/12, price labelling
<b>30007802</b>	Meto Basic S 822/12, best-before date

\*For more information please contact us directly at [service@meto.com](mailto:service@meto.com) or visit us on [www.meto.com/hls](http://www.meto.com/hls).