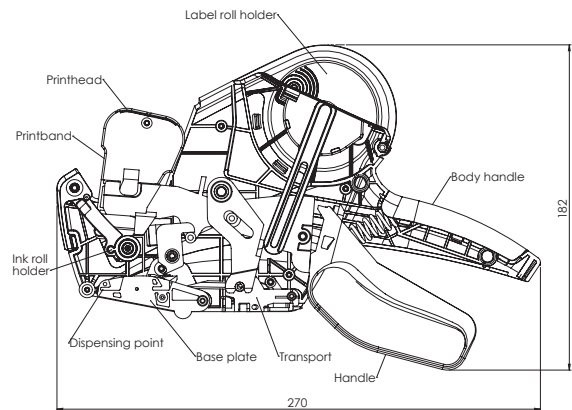


TECHNICAL DATASHEET – PRICE GUN

Meto Expert M



Technical Data

Tool type:	price gun
Manufacturer:	Meto International GmbH
Model:	Meto Expert M
Colour:	silver-red
Tool size (LxWxH):	230 x 63 x 160 mm
Packaging size (LxWxH):	267 x 65 x 197 mm
Net weight (tool):	424 g
Gross weight:	567 g
Lines:	2
Digits:	14–20 print positions depending on the model
Print height:	3.0–4.3 mm depending on the model
Label size:	22x16 mm / 26x16 mm
Main components:	label roll holder, handle, transport, ink roll holder, printband, printhead
Price gun material:	
a) body, printhead, transport	ABS (50%), POM (22%), PA (8%), PC (7.5%)
b) screws, springs	metals (10%)
c) printbands	elastomer (2.5%)
Label material:	
a) face paper	paper *
b) adhesive	permanent, removable, deep freeze *
c) liner	kraft paper white *
Ink roll material:	
a) ink roll holder	polyamide (PA 6)
b) foam body	mixed polyurethane foam
c) ink	black, type T-192, glycerin based
Packaging material:	230 g/m ² GD2, FSC Mix
Certification:	CO ₂ -free production, FSC Mix
Transport (labels):	wavy-edge
Export code:	96110000
Packaging unit:	1 price gun per carton / 160 cartons per pallet
Pallet size:	800 x 1200 x 145 mm
Pallet height max:	1250 mm incl. products
Scope of delivery:	price gun with labels and ink roll ready for use

*For more information please contact us at service@meto.com directly or visit us on www.meto.com